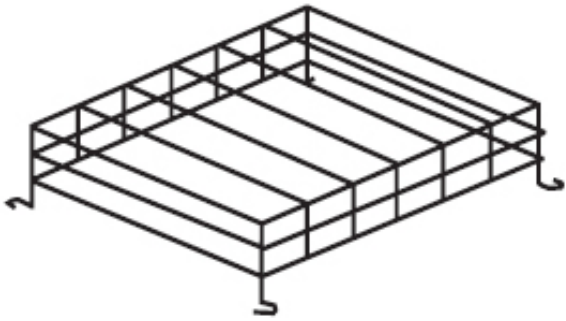


CV(HC)(SC)

guard cages for loudspeakers technical data sheet



specifications: CVHC

Design	folding wire guard cage for horns
Material	11-gauge steel
Connection	open hook corner ends for screw to wall
Dimensions	16" wide x 16" long x 14" deep

specifications: CVSC

Design	folding wire guard cage for loudspeakers
Material	11-gauge steel
Connection	open hook corner ends for screw to wall
Dimensions	21" wide x 23" long x 12" deep

key features:

- 11-gauge steel
- protect speakers from impact
- fold out guards collapse to 1" depth
- easy storage and transport
- silver chrome epoxy finish

wire guard cages:

The surface mount cages are designed to protect loudspeakers and horns from damage due to impact with foreign material. The CVHC is sized for horns and the CVSC is larger and suits many surface mount loudspeakers.

Convex customer service: 1-800-461-0006
www.convexav.com

Convex audio/video equipment distributed by:
Martech - driving strategic sales
11565 - 149 Street
Edmonton, Alberta, Canada
T5M 1W9

phone: 780-454-2006
www.drivingstrategicsales.com

