

CV-CAT11KIT

transmitter and receiver kit
for video, stereo audio and RS-232



specifications: CV-CAT11KIT

Video format	supports VGA, SVGA, XGA, SXGA up to 1900x1200; RGBHV, RGsB, YUV, Y/C, CVBS video
Bandwidth	300 MHz
Range	1,000 feet (300 m)
Analog signal level	1 volt
Impedance	75 Ω
Connector	high density HD15
Sync	TTL, range of 30-120 Hz
Audio signal type	Stereo unbalanced
Audio connector	3.5 mm jack
RS-232 signal	19200 300 bps TXD, RXD
RS-232 connector	DB9 9 pin bidirectional
System cable type	CAT5 UTP
Power	5 volts DC
Power connector	5 x 2.1 mm DC jack

physical dimensions:

Height	0.9" (23 mm)
Width	3.5" (89 mm)
Depth	3.5" (89 mm)
Weight	0.26 lbs (0.18 kg)

description:

The CV-CAT11KIT is a high resolution UXGA video extender kit (transmitter and receiver) designed to broadcast desktop video, stereo audio and RS-232 signals over CAT5 unshielded twisted pair cabling.

key features:

- uses easy-to-install, inexpensive CAT5/5e/6/7/8 cable
- range up to 1,000 feet (300 m) without signal repeaters
- supports high resolution video up to 1900x1200 and stereo audio
- compatible with line level stereo audio
- bidirectional serial RS-232 control
- sync format / polarity preservation
- high ground loop immunity
- built-in power surge, transient and lightning protection
- designated trimmer in remote unit compensates for cable length
- remote units have buffered outputs
- compact metal enclosure

key applications:

- trade show presentations
- boardrooms and dealer showrooms
- sports facilities
- training facilities
- schools
- digital signage

included hardware:

CV-CAT11TX (transmitter, power supply)
CV-CAT11RX (receiver, power supply)

Convex audio/video equipment distributed by:
Martech - driving strategic sales
11565 - 149 Street
Edmonton, Alberta, Canada
T5M 1W9

phone: 780-454-2006
www.drivingstrategicsales.com



CV-CAT11KIT

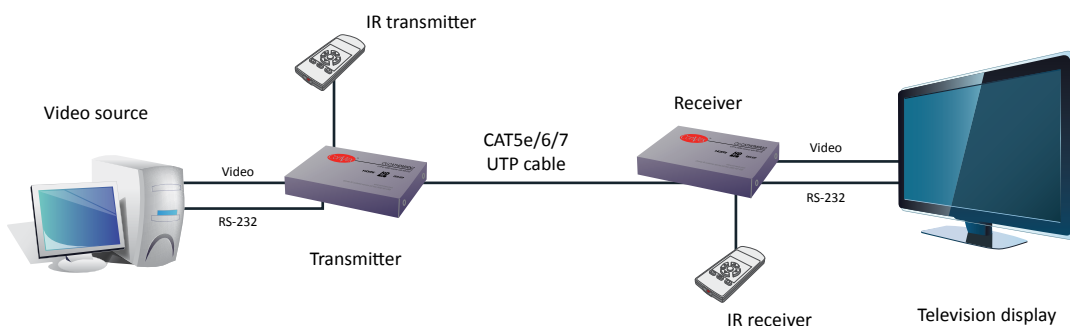
transmitter and receiver kit
for video, stereo audio and RS-232

Convex CV-CAT signal distribution hardware

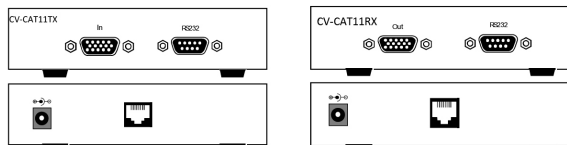
SIGNAL RESOLUTION AND DISTANCE RANGE GUIDE

Convex Product #	Cable Type	VGA 640x480	SVGA 800x600	XGA 1024x768	HD720P 1280x720	SXGA 1280x1024	HD1080i 1290x1080	UXGA 1600x1200	HD1080P 1920x1080
RECEIVERS									
CV-CATIR	CAT5 Skew free CAT5	IR range is 1000'							
CV-CAT01RX	CAT5 Skew free CAT5	1000' 1200'	700' 910'	300' 390'	250' 325'	250' 375'	200' 300'	200' 300'	150' 225'
CV-CAT012X	CAT5 Skew free CAT5	800' 960'	650' 845'	275' 358'	225' 293'	225' 338'	175' 263'	175' 263'	125' 188'
CV-CAT03RX	CAT5 Skew free CAT5	1000' 1200'	700' 910'	450' 585'	425' 553'	400' 600'	375' 563'	300' 450'	275' 413'
CV-CAT11RX	CAT5 Skew free CAT5	1000' 1200'	700' 910'	300' 390'	250' 325'	250' 375'	200' 300'	200' 300'	150' 225'
CV-CATHD1RX	CAT5 Skew free CAT5	1000' 1200'	700' 910'	450' 585'	425' 553'	400' 600'	375' 563'	300' 450'	275' 413'
CV-CATHD2RX	CAT5 Skew free CAT5	1000' 1200'	700' 910'	450' 585'	425' 553'	400' 600'	375' 563'	300' 450'	275' 413'
CV-CAT1DVIRX	DVX-RX200S CAT6	250'	250'	250'	220'	220'	220'	220'	220'
CV-CAT13RX	CAT5 Skew free CAT5	1700' 2040'	1200' 1560'	1000' 1300'	750' 975'	750' 1125'	750' 1125'	650' 975'	550' 825'

sample system diagram:



CV-CAT11KIT inputs and outputs:



Convex customer service: 1-800-461-0006
www.convexav.com

Convex audio/video equipment distributed by:
Martech - driving strategic sales
11565 - 149 Street
Edmonton, Alberta, Canada
T5M 1W9

phone: 780-454-2006
www.drivingstrategicsales.com

