

# CV86

## 8" 6 oz full range cone driver technical data sheet



### key features:

dual cone for enhanced frequency response  
mounting options for line matching trans-  
formers  
treated surround for longevity

### key applications:

voice and background music reproduction  
commercial, industrial and institutional  
communication systems  
intercom and voice paging

### specifications: CV86

Driver	8" (152 mm) dual cone
Cone material	paper
Surround material	treated paper
Voice coil size	1" (25 mm), 6 oz magnet
Voice coil	copper wire, polyester insulaton, paper former
Speaker basket	stamped steel
Sensitivity	94dB @ 1 watt, 1 meter
Max power	15W
Nominal dispersion	105°
Frequency range	100hz / 10khz ±3db
Impedance	8Ω
Minimum impedance	6.9Ω @ 216hz
Termination type	dual 5 mm spade

### description:

The CV86 is a well-constructed 8 inch, full range paper cone driver. Consisting of a 1 inch copper voice coil and a 6 oz magnet. The dual cone driver will provide a smooth frequency response from 100Hz to 10kHz ±3db

### support hardware:

CVB8R standard round baffle  
CVB8S standard square baffle  
CVT5 5 watt line matching transformer  
CVT10 10 watt line matching transformer  
CVBB8RF round flush back box  
CVBB8SF square flush back box  
CVBB8SS square surface back box  
CVTS tile supports

### physical dimensions:

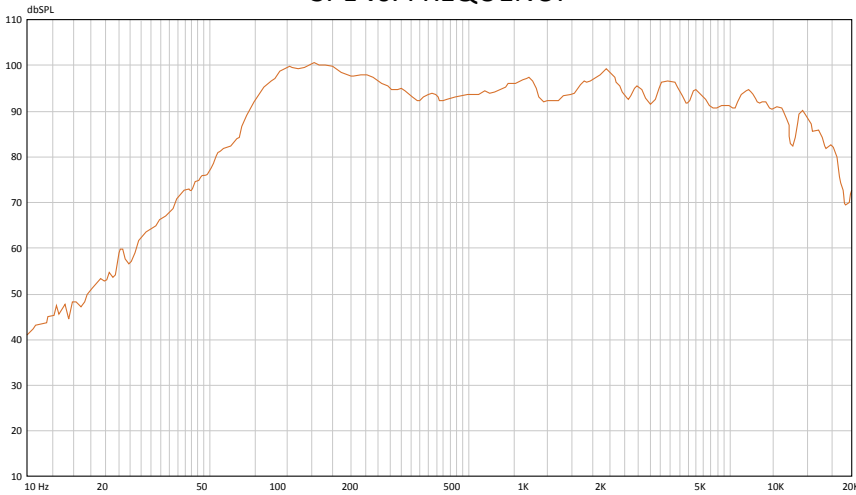
Overall diameter	8" (203 mm)
Depth	2.68" (68 mm)
Weight each	1.2 lbs (0.54 kg)
Shipping weight	28.8 lbs (13.06 kg) (18 per carton)



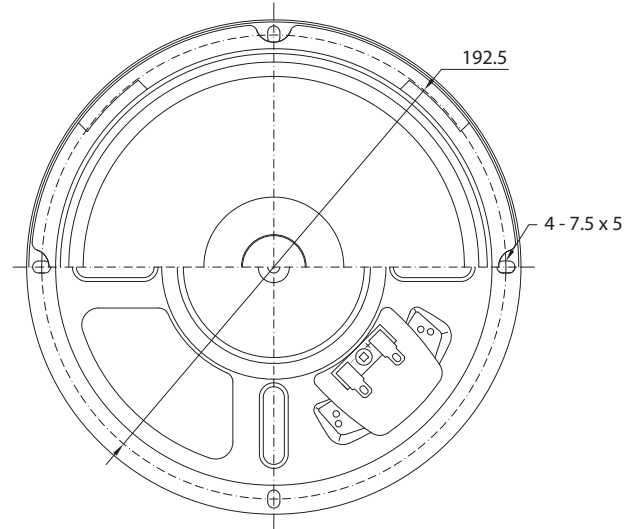
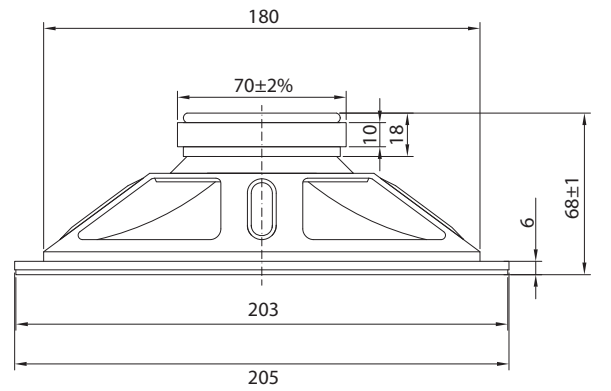
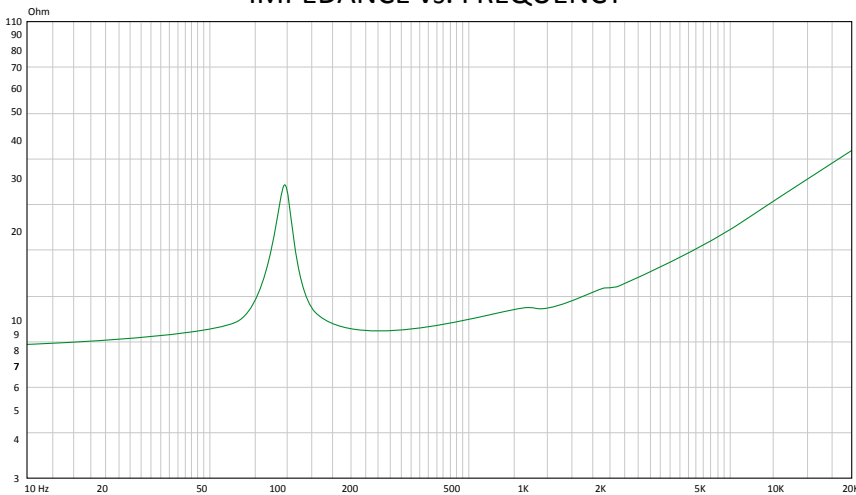
# CV86

## 8" 6 oz full range cone driver technical data sheet

### SPL vs. FREQUENCY



### IMPEDANCE vs. FREQUENCY



Convex customer service: 1-800-461-0006  
[www.convexav.com](http://www.convexav.com)

Convex audio/video equipment distributed by:  
Martech - driving strategic sales  
11565 - 149 Street  
Edmonton, Alberta, Canada  
T5M 1W9

phone: 780-454-2006  
[www.drivingstrategicsales.com](http://www.drivingstrategicsales.com)

