

CV86T10R

8" speaker / 10W transformer /
round baffle assembly



specifications: CV86T10R

Driver	8" (152 mm) dual cone
Cone material	paper
Surround material	treated paper
Voice coil size	1" (25 mm), 6 oz magnet
Voice coil material	copper
Voice coil insulation	polyester
Voice coil former	paper
Speaker basket	stamped steel
Sensitivity @ 8 ohm	94dB @ 1 watt, 1 meter
Max power	10W
Nominal dispersion	105°
Frequency range	100Hz / 10kHz \pm 3dB
Power taps	25V 0.625, 1.25, 2.5, 5 and 10W 70V 0.625, 1.25, 2.5, 5 and 10W
Termination type	color coded tined leads

physical dimensions:

Overall diameter	8" (203 mm)
Depth	3.875" (98 mm)
Minimum cutout	7.25" (184 mm)
Baffle diameter	12.75" (323.8mm)

key features:

8" speaker/transformer/round metal baffle
assembly ready for installation
10 watt multi-tap 25/70 volt line matching
transformer

key applications:

background music for retail space
voice paging for office
school/ hospitality environments
healthcare/institutional communications
retrofit projects

description:

The CV86T10R is an 8" speaker/trans-
former/baffle assembly consisting of a Convex
CV86 8" cone driver, a CVT10 10 watt 25/70
volt transformer and a CVB8R round metal
baffle. The CV86T10R produces a smooth
response that is perfect for paging and
background music applications. Assembled
in Canada.

support hardware:

CVTS tile supports
CVBB8RF flush mount back box
CVBB8RFW white surface mount back box

Convex audio/video equipment distributed by:
Martech - driving strategic sales
11565 - 149 Street
Edmonton, Alberta, Canada
T5M 1W9

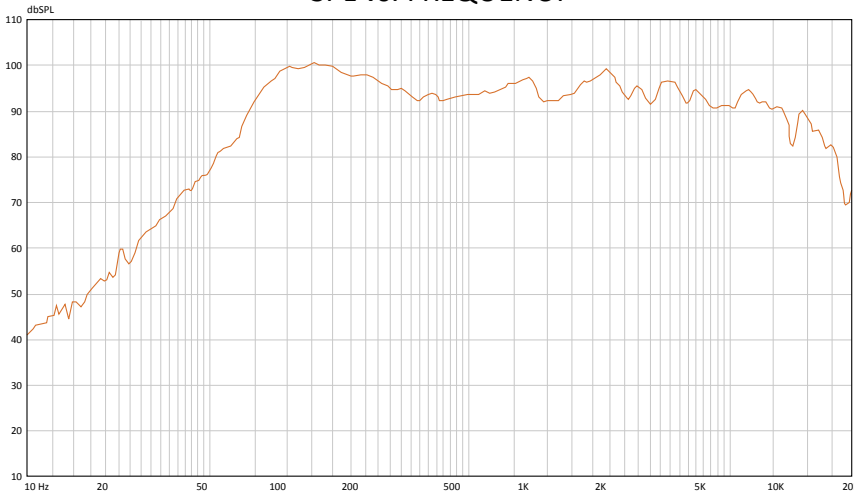
phone: 780-454-2006
www.drivingstrategicsales.com



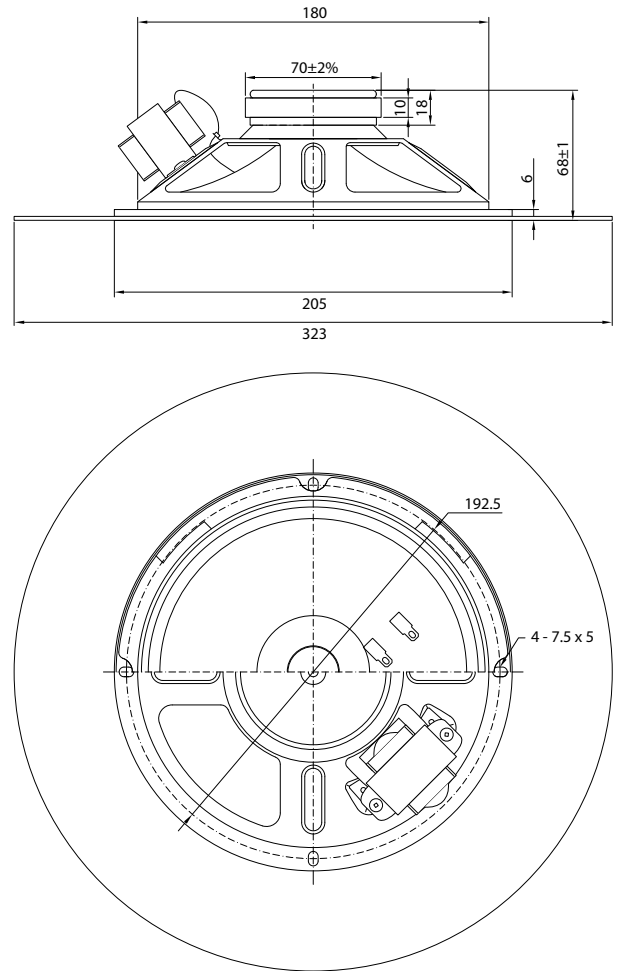
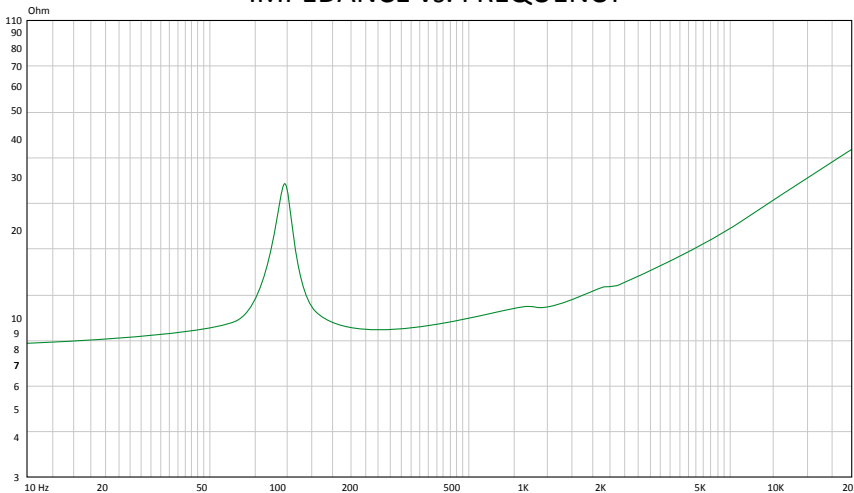
CV86T10R

8" speaker / 10W transformer /
round baffle assembly

SPL vs. FREQUENCY



IMPEDANCE vs. FREQUENCY



architect's specification:

8" loudspeakers shall be Convex model CV86T10R. These speaker/transformer assemblies will have a 10W multi-tap transformer, mounted with machine screws and terminated to speaker using removable spade lugs. Speakers shall have a frequency response of 100Hz to 10kHz \pm 3dB utilizing a 1" voice coil. The 25/70V transformer will have the following tap settings marked by color codes: 25V (0.625, 1.25, 2.5, 5 and 10W) or 70V (0.625, 1.25, 2.5, 5 and 10W) with an insertion loss of less than 2dB. The speakers shall be pre-mounted to a round metal baffle.

Convex customer service: 1-800-461-0006
www.convexav.com

Convex audio/video equipment distributed by:
Martech - driving strategic sales
11565 - 149 Street
Edmonton, Alberta, Canada
T5M 1W9

phone: 780-454-2006
www.drivingstrategicsales.com

