

# CV86T10S

8" speaker / 10W transformer /  
square baffle assembly



## key features:

8" speaker/transformer/round metal baffle  
assembly ready for installation  
10 watt multi-tap 25/70 volt line matching  
transformer

## key applications:

background music for retail space  
voice paging for office  
school/ hospitality environments  
healthcare/institutional communications  
retrofit projects

## description:

The CV86T10S is an 8" speaker/trans-  
former/baffle assembly consisting of a Convex  
CV86 8" cone driver, a CVT10 10 watt 25/70  
volt transformer and a CVB8S square metal  
baffle. The CV86T10S produces a smooth  
response that is perfect for paging and  
background music applications. Assembled  
in Canada.

## support hardware:

CVTS tile supports  
CVBB8SF flush mount back box  
CVBB8SS surface mount back box

## specifications: CV86T10S

Driver	8" (152 mm) dual cone
Cone material	paper
Surround material	treated paper
Voice coil size	1" (25 mm), 6 oz magnet
Voice coil material	copper
Voice coil insulation	polyester
Voice coil former	paper
Speaker basket	stamped steel
Sensitivity @ 8 ohm	94dB @ 1 watt, 1 meter
Max power	10W
Nominal dispersion	105°
Frequency range	100Hz / 10kHz $\pm$ 10db
Power taps	25V 0.625, 1.25, 2.5, 5 and 10W 70V 0.625, 1.25, 2.5, 5 and 10W
Termination type	color coded tined leads

## physical dimensions:

Overall diameter	8" (203 mm)
Depth	3.875" (98 mm)
Minimum cutout	7.25" (184 mm)
Baffle length/width	12.75" (323.8mm)

Convex audio/video equipment distributed by:  
Martech - driving strategic sales  
11565 - 149 Street  
Edmonton, Alberta, Canada  
T5M 1W9

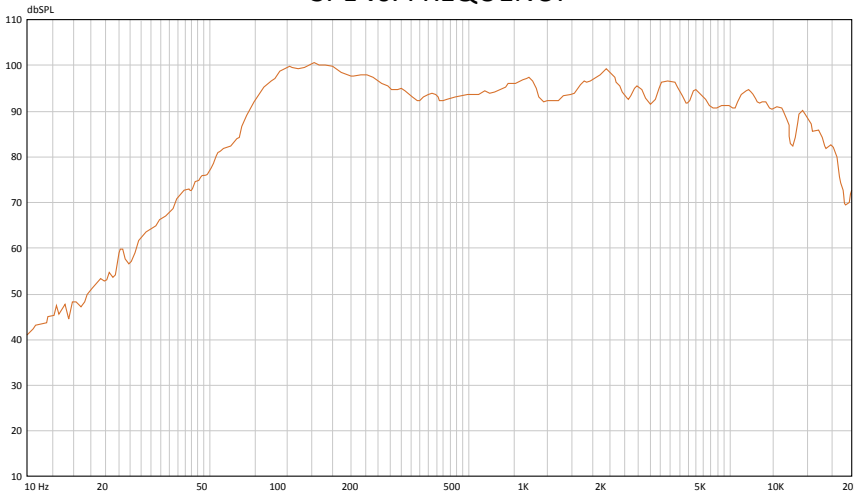
phone: 780-454-2006  
www.drivingstrategicsales.com



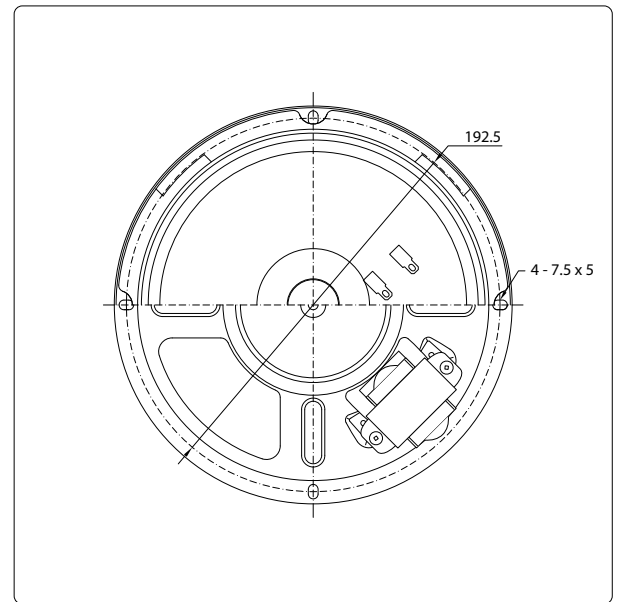
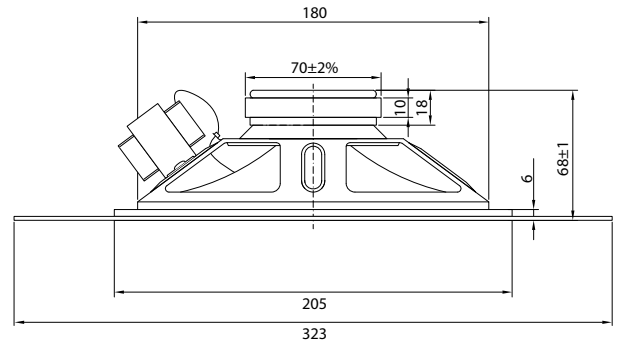
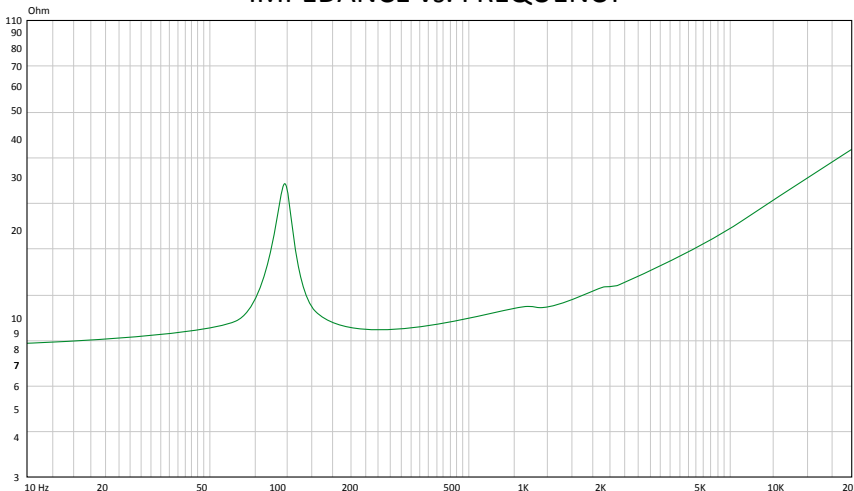
# CV86T10S

8" speaker / 10W transformer / square baffle assembly

SPL vs. FREQUENCY



IMPEDANCE vs. FREQUENCY



## architect's specification:

8" loudspeakers shall be Convex model CV86T10S. These speaker/transformer assemblies will have a 10W multi-tap transformer, mounted with machine screws and terminated to speaker using removable spade lugs. Speakers shall have a frequency response of 100Hz to 10kHz  $\pm$  3dB utilizing a 1" voice coil. The 25/70V transformer will have the following tap settings marked by color codes: 25V (0.625, 1.25, 2.5, 5 and 10W) or 70V (0.625, 1.25, 2.5, 5 and 10W) with an insertion loss of less than 2dB. The speakers shall be pre-mounted to a square metal baffle.

Convex customer service: 1-800-461-0006  
www.convexav.com

Convex audio/video equipment distributed by:  
Martech - driving strategic sales  
11565 - 149 Street  
Edmonton, Alberta, Canada  
T5M 1W9

phone: 780-454-2006  
www.drivingstrategicsales.com

