

CV86T5

8" speaker with 5 watt transformer technical data sheet



specifications: CV86T5

Driver	8" (152 mm) dual cone
Cone material	paper
Surround material	treated paper
Voice coil size	1" (25 mm), 6 oz magnet
Voice coil material	copper
Voice coil insulation	polyester
Voice coil former	paper
Speaker basket	stamped steel
Sensitivity @ 8 ohm	94dB @ 1 watt, 1 meter
Max power	10W
Nominal dispersion	105°
Frequency range	100Hz / 10kHz \pm 10db
Power taps	25V 0.31, 0.62, 1.2, 2.5, 5W 70V 0.12, 0.31, 0.62, 1.2, 2.5, 5W
Termination type	color coded tined leads

physical dimensions:

Overall diameter	8" (203 mm)
Depth	3.875" (98 mm)
Minimum cutout	7.25" (184 mm)

key features:

8" speaker/transformer assembly ready for installation
5W multi-tap 25/70 volt line matching transformer
fits standard four stud baffle grilles

key applications:

background music for retail space
voice paging for office
school/ hospitality environments
healthcare/institutional communications
retrofit projects

description:

The CV86T5 is an 8" speaker/transformer assembly consisting of a CV86 cone driver and a CVT5 5 watt 25/70 volt transformer. The CV86T5 produces a smooth response that is perfect for paging and background music applications. Assembled in Canada.

support hardware:

CVB8R round baffle
CVB8S square baffle
CVBB8RF round flush mount back box
CVBB8RFW white flush mount back box
CVBB8SF square flush mount back box
CVBB8SS square surface mount back box
CVTS tile supports

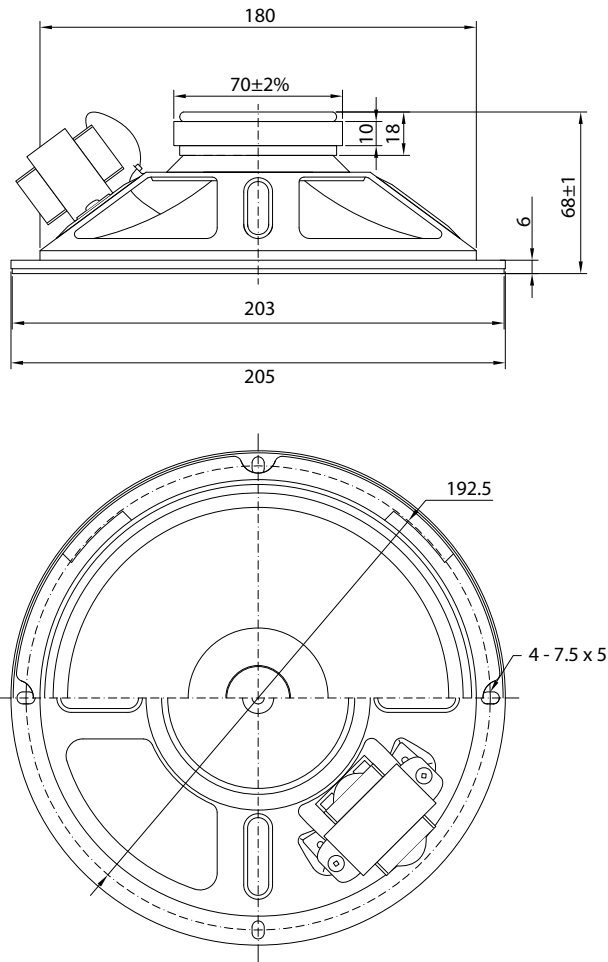
Convex audio/video equipment distributed by:
Martech - driving strategic sales
11565 - 149 Street
Edmonton, Alberta, Canada
T5M 1W9

phone: 780-454-2006
www.drivingstrategicsales.com



CV86T5

8" speaker with 5 watt transformer technical data sheet



architect's specification:

8" loudspeakers shall be Convex model CV86T5. These speaker/transformer assemblies will have a 5W multi-tap transformer, mounted with machine screws and terminated to speaker using removable spade lugs. Speakers shall have a frequency response of 100Hz to 10kHz \pm 10dB utilizing a 1" voice coil. The 25/70V transformer will have the following tap settings marked by color codes: 25V (0.3125W, 0.625W, 1.25W, 2.5W, 5W) or 70V (0.125W, 0.3125W, 0.625W, 1.25W, 2.5W, 5W) with an insertion loss of less than 2dB. The speakers shall have four mounting holes that will accommodate standard four hole metal baffles.

Convex customer service: 1-800-461-0006
www.convexav.com

Convex audio/video equipment distributed by:
Martech - driving strategic sales
11565 - 149 Street
Edmonton, Alberta, Canada
T5M 1W9

phone: 780-454-2006
www.drivingstrategicsales.com

