

CV86T5R

8" speaker / 5 watt transformer /
round baffle assembly



key features:

8" speaker/5 watt transformer/round baffle
assembly ready for installation
5 watt multi-tap 25/70 volt line matching
transformer

key applications:

background music for retail space
voice paging for office
school/ hospitality environments
healthcare/institutional communications
retrofit projects

specifications: CV86T5R

Driver	8" (152 mm) dual cone
Cone material	paper
Surround material	treated paper
Voice coil size	1" (25 mm), 6 oz magnet
Voice coil material	copper
Voice coil insulation	polyester
Voice coil former	paper
Speaker basket	stamped steel
Sensitivity	94dB @ 1 watt, 1 meter
Max power	5W
Nominal dispersion	105°
Frequency range	100Hz / 10kHz \pm 3dB
Power taps	25V 0.31, 0.62, 1.25, 2.5, 5W 70V 0.16, 0.31, 0.62, 1.25, 2.5, 5W
Termination type	color coded tined leads

description:

The CV86T5R is an 8" full range paper cone driver with 5 watt 25/70V line matching multi-tap transformer. This loudspeaker driver consists of a 1" copper voice coil and a 6 oz magnet. The CV86T5R produces a smooth response that is perfect for paging and background music systems. This assembly includes the CVB8R round heavy gauge metal baffle, painted with pure white powder coat. Assembled in Canada.

support hardware:

CVTS tile supports
CVBB8RF flush mount back box
CVBB8RWF white surface mount back box

physical dimensions:

Overall diameter	8" (203 mm)
Depth	3.875" (98 mm)
Minimum cutout	7.25" (184 mm)
Baffle diameter	12.75" (323.8mm)

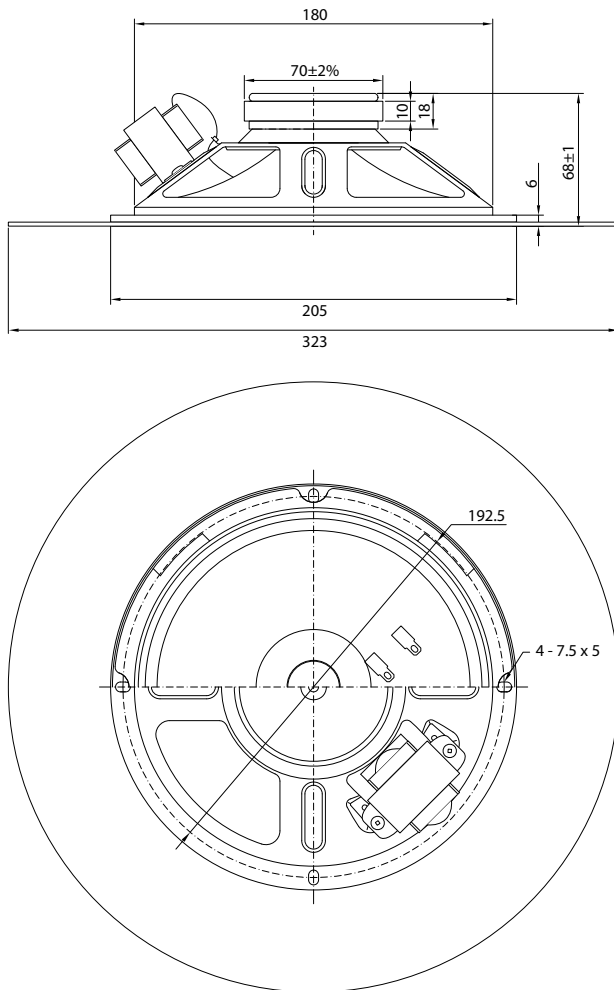
Convex audio/video equipment distributed by:
Martech - driving strategic sales
11565 - 149 Street
Edmonton, Alberta, Canada
T5M 1W9

phone: 780-454-2006
www.drivingstrategicsales.com



CV86T5R

8" speaker / 5 watt transformer /
round baffle assembly



architect's specification:

8" loudspeakers shall be Convex model CV86T5R. These speaker/transformer assemblies will have a 5W multi-tap transformer, mounted with machine screws and terminated to speaker using removable spade lugs. Speakers shall have a frequency response of 100Hz to 10kHz \pm 10dB utilizing a 1" voice coil. The 25/70V transformer will have the following tap settings marked by color codes: 25V (0.31W, 0.62W, 1.25W, 2.5W, 5W) or 70V (0.125W, 0.31W, 0.62W, 1.25W, 2.5W, 5W) with an insertion loss of less than 2dB. The speakers shall be pre-mounted to a round metal baffle.

Convex customer service: 1-800-461-0006
www.convexav.com

Convex audio/video equipment distributed by:
Martech - driving strategic sales
11565 - 149 Street
Edmonton, Alberta, Canada
T5M 1W9

phone: 780-454-2006
www.drivingstrategicsales.com

