

# CV86T5S

8" speaker / 5 watt transformer /  
square baffle assembly



## key features:

8" speaker/5 watt transformer/square baffle  
assembly ready for installation  
5 watt multi-tap 25/70 volt line matching  
transformer

## key applications:

background music for retail space  
voice paging for office  
school/ hospitality environments  
healthcare/institutional communications  
retrofit projects

## specifications: CV86T5S

Driver	8" (152 mm) dual cone
Cone material	paper
Surround material	treated paper
Voice coil size	1" (25 mm), 6 oz magnet
Voice coil material	copper
Voice coil insulation	polyester
Voice coil former	paper
Speaker basket	stamped steel
Sensitivity	94dB @ 1 watt, 1 meter
Max power	5W
Nominal dispersion	105°
Frequency range	100Hz / 10kHz $\pm$ 3dB
Power taps	25V 0.31, 0.62, 1.25, 2.5, 5W 70V 0.16, 0.31, 0.62, 1.25, 2.5, 5W
Termination type	color coded tined leads

## description:

The CV86T5S is an 8" full range paper cone driver with 5 watt 25/70V line matching multi-tap transformer. This loudspeaker driver consists of a 1" copper voice coil and a 6 oz magnet. The CV86T5S produces a smooth response that is perfect for paging and background music systems. This assembly includes the CVB8S square heavy gauge metal baffle, painted with pure white powder coat. Assembled in Canada.

## support hardware:

CVTS tile supports  
CVBB8SF flush mount back box  
CVBB8SS surface mount back box

## physical dimensions:

Overall diameter	8" (203 mm)
Depth	3.875" (98 mm)
Minimum cutout	7.25" (184 mm)
Baffle length/width	12.75" (323.8mm)

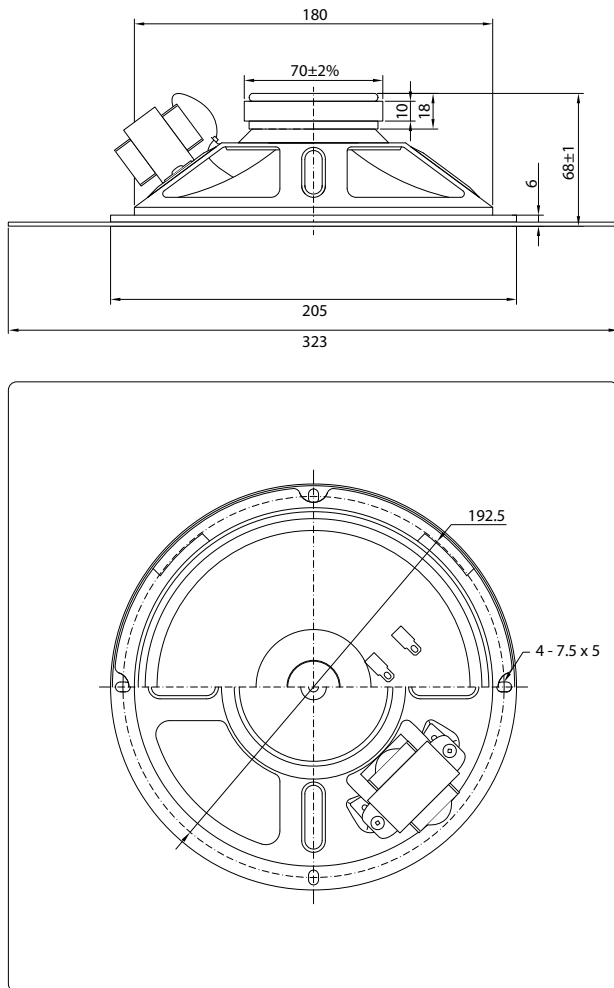
Convex audio/video equipment distributed by:  
Martech - driving strategic sales  
11565 - 149 Street  
Edmonton, Alberta, Canada  
T5M 1W9

phone: 780-454-2006  
www.drivingstrategicsales.com



# CV86T5S

8" speaker / 5 watt transformer /  
square baffle assembly



## architect's specification:

8" loudspeakers shall be Convex model CV86T5S. These speaker/transformer assemblies will have a 5W multi-tap transformer, mounted with machine screws and terminated to speaker using removable spade lugs. Speakers shall have a frequency response of 100Hz to 10kHz  $\pm$  10dB utilizing a 1" voice coil. The 25/70V transformer will have the following tap settings marked by color codes: 25V (0.31W, 0.62W, 1.25W, 2.5W, 5W) or 70V (0.125W, 0.31W, 0.62W, 1.25W, 2.5W, 5W) with an insertion loss of less than 2dB. The speakers shall be pre-mounted to a square metal baffle.

Convex customer service: 1-800-461-0006  
[www.convexav.com](http://www.convexav.com)

Convex audio/video equipment distributed by:  
Martech - driving strategic sales  
11565 - 149 Street  
Edmonton, Alberta, Canada  
T5M 1W9

phone: 780-454-2006  
[www.drivingstrategicsales.com](http://www.drivingstrategicsales.com)

