

CVMSP62

loudspeaker system

technical data sheet



specifications: CVMSP62

Driver	6" (152mm) LF 2" (51mm) HF
Cone material	injected polypropylene (LF) soft dome neodymium (HF)
Surround material	rubber LF
Voice coil size	1" (25mm) LF 0.5" (13mm) HF
Voice coil	copper coil, polyester insulation, aluminum former
Speaker basket	stamped steel
Sensitivity	89dB @ 1 watt, 1 meter
Max power	40W
Nominal dispersion	120°
Frequency range	50Hz / 20kHz \pm 10dB
Impedance	8 Ω (70V: 1.9, 3.8, 7.5, 15, 30W) (100V: 3.8, 7.5, 15, 30W)
Minimum impedance	6.9 Ω @ 250Hz
Termination type	Captive screw terminal (phoenix)
Max wire gauge	12 AWG

key features:

- blind mountable
- self contained speaker system
- tuned port enclosure
- 70 volt multi-tap or 8 Ω direct operation

key applications:

Engineered for general background to foreground music and paging applications, the Convex CVMSP62 is ideal for:

- retail stores
- restaurants
- airports
- conference centers
- boardrooms

description:

This self contained speaker enclosure houses a coaxial 6" poly injected driver combined with a 2" soft dome tweeter to provide a full, smooth frequency response. The CVMSP62 has a permanent mounted back-can. The CVMSP62 has its tuned bass port in the front of the speaker behind the grill along with the tap selector switch. This means that this speaker system can be completely installed from below the ceiling grid.

support hardware:

- CVTS62 tile support
- CVDR62 drywall rough-in

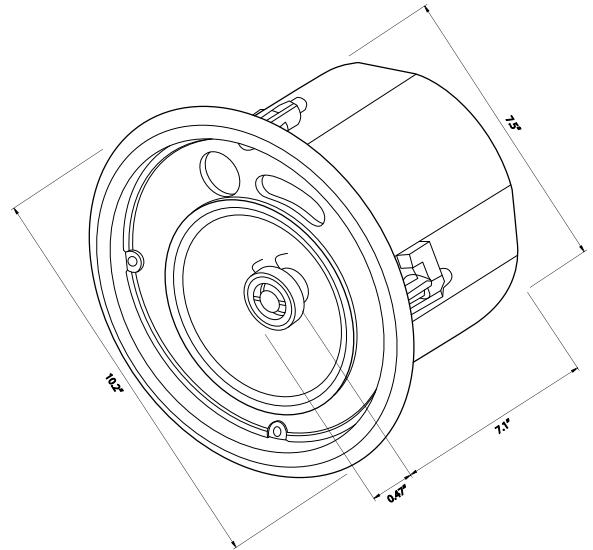
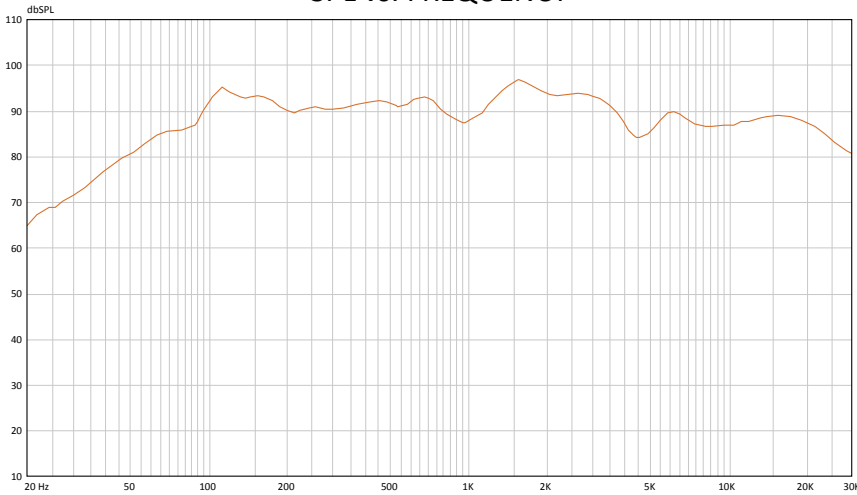
physical dimensions:

Overall diameter	10.25" (260 mm)
Depth	7.5" (190 mm) 8" (203 mm) including seismic strap
Minimum cut-out	9" (229 mm)
Net weight	7 lbs (3.2 kg)
Shipping weight	8.2 lbs (3.7 kg)

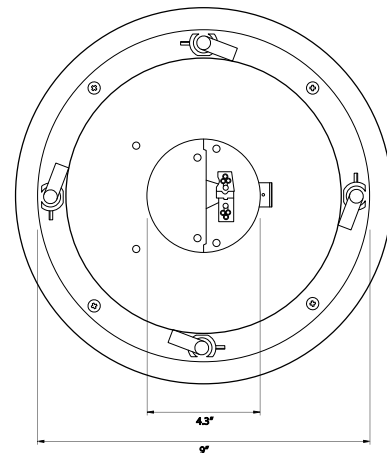
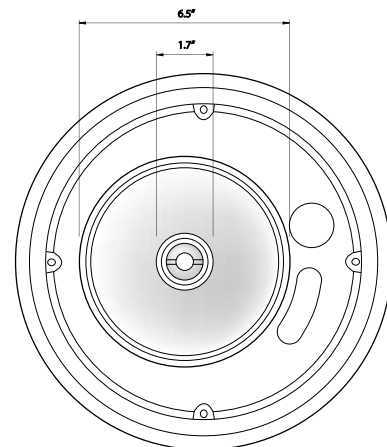
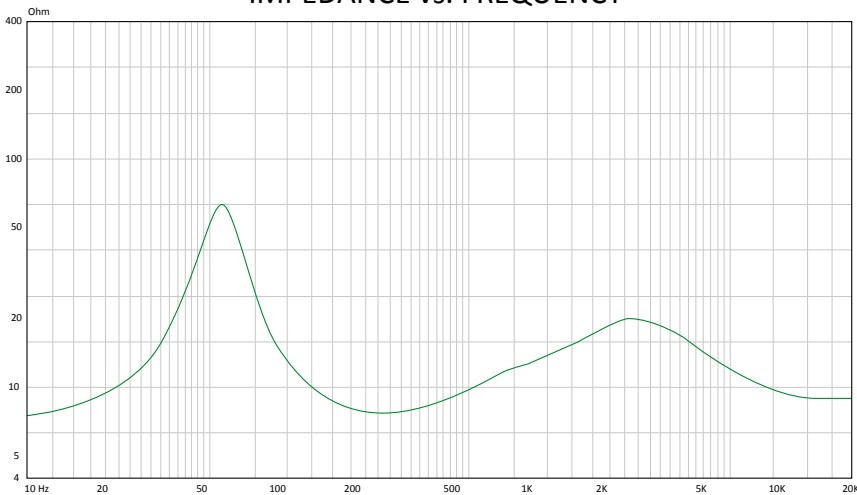
CVMSP62

loudspeaker system technical data sheet

SPL vs. FREQUENCY



IMPEDANCE vs. FREQUENCY



Convex customer service: 1-800-461-0006
www.convexav.com

Convex audio/video equipment distributed by:
Martech - driving strategic sales
11565 - 149 Street
Edmonton, Alberta, Canada
T5M 1W9

phone: 780-454-2006
www.drivingstrategicsales.com

