

CVVC

remote volume control technical data sheet



key features:

- override relay (CVVC100WP only)
- positive position switching
- removable captive screw termination
- low insertion loss
- removable face plate

key applications:

- restaurants
- meeting rooms
- lunch rooms
- offices

description:

The CVVC series attenuators are manufactured to have an excellent frequency response and low insertion loss. The 10 step positive position switching provides as much as 36dB reduction. All CVVC models can be mounted into a standard single gang electrical box. The removable face plate makes this product perfect when multiple controls are going to be used in larger boxes or where the surface will be painted. Removable captive screw type connectors will accept up to 14 AWG gauge wire.

specifications: CVVC series

Frequency range	35 Hz - 20 kHz
Impedance	70 volts
Termination	Removable captive screw up to 14 gauge wire
Face plate	Removable white ABS
Relay voltage	24v (CVVC100WP only)
Size	Fits any standard single gang electrical box (see drawings)
10-step attenuation	from levels 0-8 step 3dB each levels 9-10 step 6dB each
Power @ 70 volts:	
CVVC10W	10 watts
CVVC35W	35 watts
CVVC100WP	100 watts

Convex audio/video equipment distributed by:
Martech - driving strategic sales
11565 - 149 Street
Edmonton, Alberta, Canada
T5M 1W9

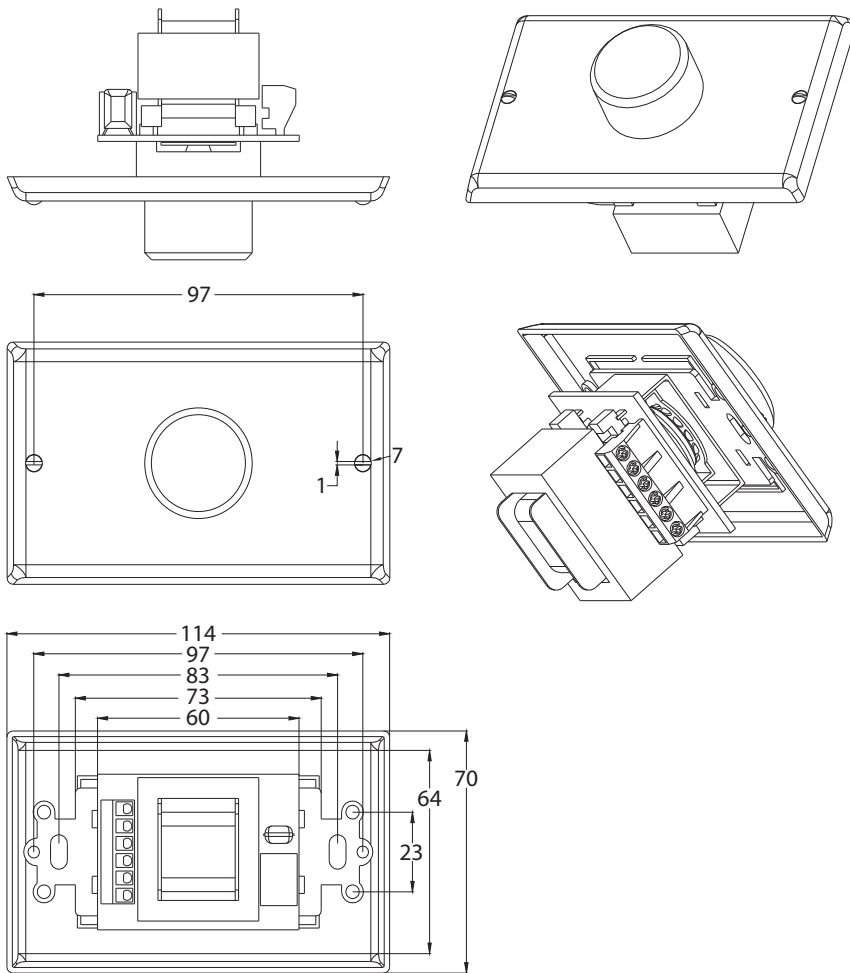
phone: 780-454-2006
www.drivingstrategicsales.com

Convex customer service: 1-800-461-0006
www.convexav.com



CVVC

remote volume control technical data sheet



architect's specifications:

The 70 volt volume controls shall be sized according to power requirements, 10 watts use Convex part number CVVC10W, 35 watts use Convex part number CVVC35W 35 watts or 100 watts use Convex part number CVVC100WP. All volume controls shall have the ability to mount into a standard single gang electrical box. All volume controls shall use removable captive screw type termination. Having 10 positive position switching with a positive stop indicating both (0) open circuit and (10) line voltage. Volume control to have insertion loss not greater than 1.5 dB. Where priority override option is required, use Convex part number CVVC10WP.

Figure 1: Convex CVVC100WP
Measurements representative of all CVVC series volume controls. Measurements in mm

Convex audio/video equipment distributed by:
Martech - driving strategic sales
11565 - 149 Street
Edmonton, Alberta, Canada
T5M 1W9

phone: 780-454-2006
www.drivingstrategicsales.com

Convex customer service: 1-800-461-0006
www.convexav.com

